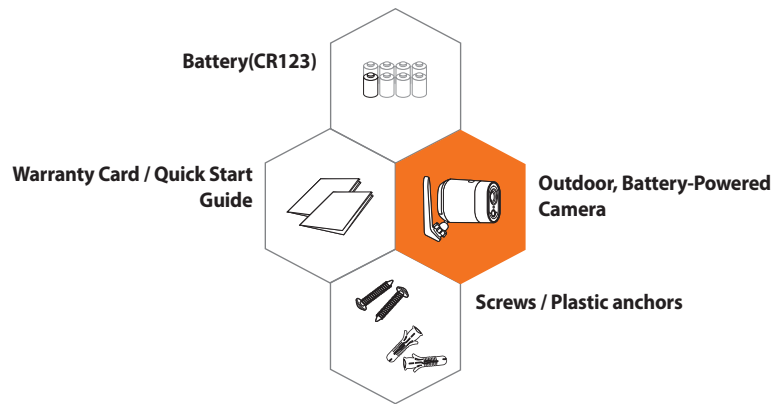


**SAMSUNG**  
WISENET

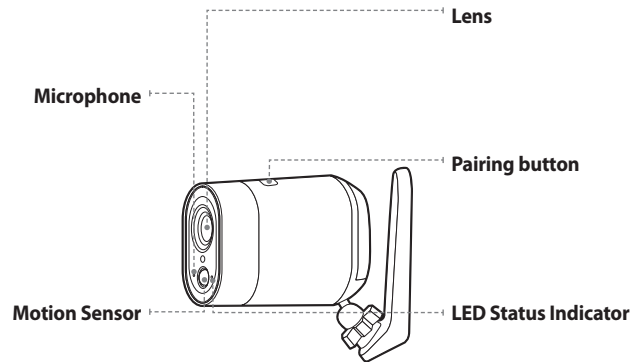
# WISENET SMARTCAM

Quick Start Guide

## What's in the box

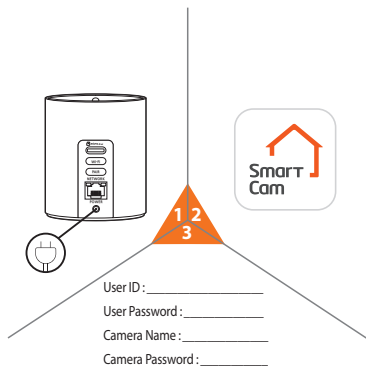


## Camera Overview



## Create account and register Station Hub

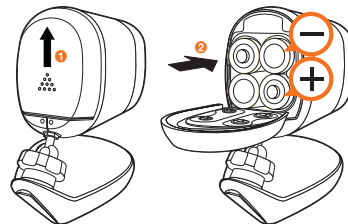
Connect the power adapter to the Station Hub and plug it into the nearest wall outlet.



Save your Account and Device information here.

Open the Wisenet SmartCam+ app and create an account. Follow the on-screen instructions to register.

## Camera Power On



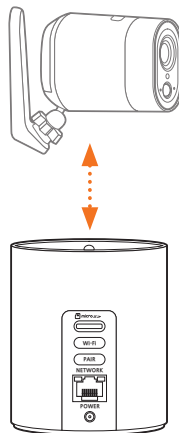
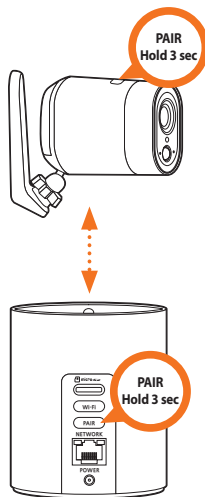
Outdoor Battery-Powered Camera  
Power on

# Pairing the Camera with Station Hub

※ For every instance the camera is added, the pairing must be done by pressing the [PAIR] button on each side.

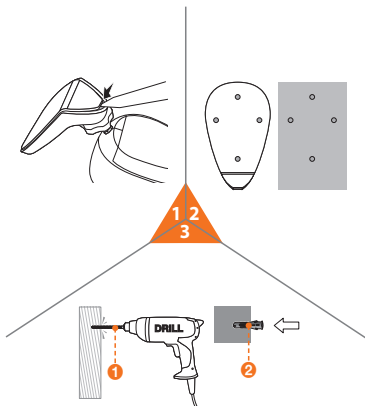
※ You can add Battery-Powered Cameras. Register additionally by repeating STEP 1 to pair with the station hub.

## STEP 1



# Mounting the Camera

**Note:** If you are mounting the camera on the wall, carefully separate the bracket cover from the bracket. Use a flat-head screwdriver or your hands and gently pry open the bracket cover from the bracket.

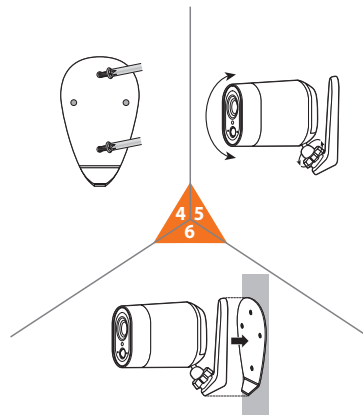


Place the bracket cover against the wall where the camera will be mounted and mark the position of the screw holes.

Drill a hole on the marked location. Insert an anchor for each of the two holes. Fully insert the anchors by gently tapping the anchor head with a hammer or rubber mallet.

※ Before installing the camera, determine the best location and angle for the camera, and then install it.

Match the bracket cover to the holes on the wall and fasten the screws.



Attach the camera bracket to the bracket cover.

**Adjust the angle of view.**

(Do not use force to adjust. Unscrew the lever and adjust accordingly after checking the position of the groove, then re-tighten the lever.)

# Caution

1. Recommended micro SD card
  - It is recommended to use a MLC for higher data density and reliability of recording.
2. We recommend that you use the provided batteries, or well-known brand batteries such as Panasonic, Energizer, or Duracell.  
Use of counterfeit or low-quality batteries increases the risk of camera malfunction and the possibility of fire.
3. We do not recommend using rechargeable batteries for the Outdoor, Battery-Powered Camera. It increases the risk of camera malfunction and the possibility of fire.
4. Station Camera is not weatherproof.  
For indoor use only.



**SAMSUNG**  
WISENET