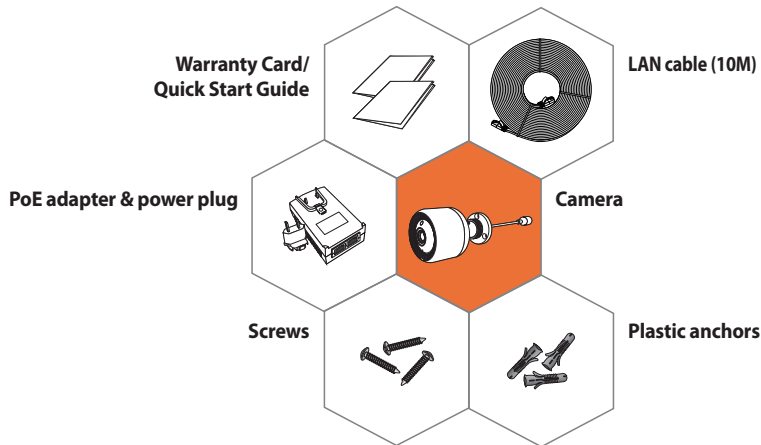


SAMSUNG
WISeNET

WISeNET SMARTCAM

Quick Start Guide

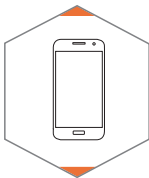
What's in the box



System Requirements



- ▼ **Wi-Fi 802.11 b/g/n**
- ▼ **Recommended : 3.5Mbps or higher**

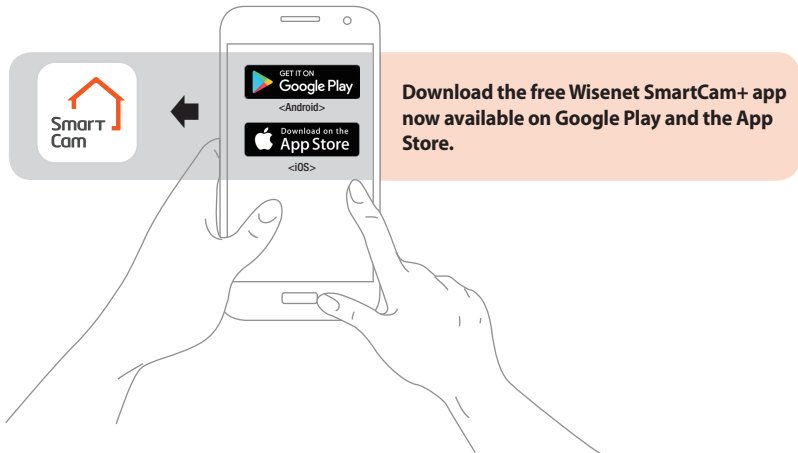


- ▼ **iOS 8 or higher**
- ▼ **Android OS 5.0 or higher**

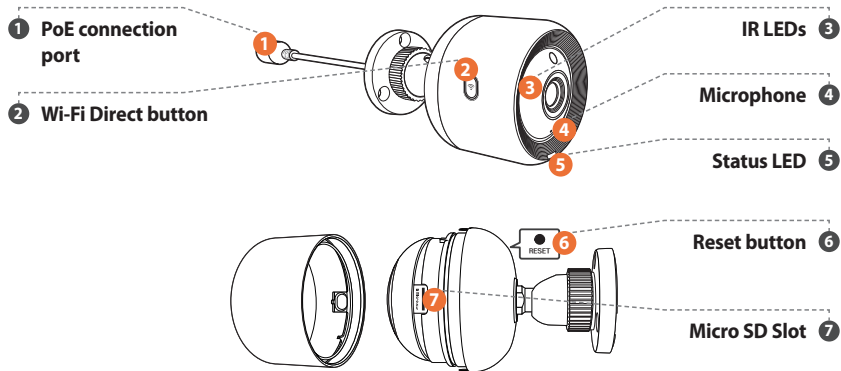


- ▼ **Windows 7/8 or higher**
- ▼ **Mac 10.7 or higher**

Mobile Application

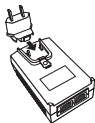


Camera Overview

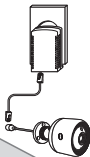


Camera setup and registration

Assemble the power plug with PoE adapter as shown in the figure below.



Connect the LAN cable from the PoE adapter [DATA & POWER OUT] port to the camera PoE port and then plug-in the PoE adapter to the wall.



1 3
2 4

User ID : _____

User Password : _____

Camera Name : _____

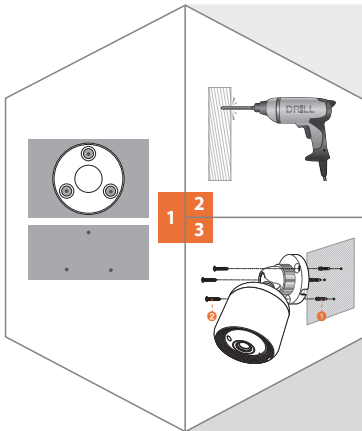
Camera Password : _____

Open the Wisenet SmartCam+ app and create an account. Follow the on-screen instructions to register.

Save your Account and Device information here.

Mounting the Camera

Mark the positions of the screw holes on where the camera is to be mounted.



Drill the holes about 1.2 inches deep into the wall. (Recommended Drill Bit size 0.2 inches)

① Insert the anchor in the hole completely and
② tighten the bracket with screw.

LED Status Guide

